

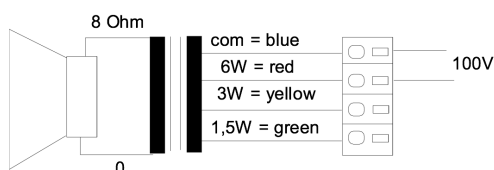
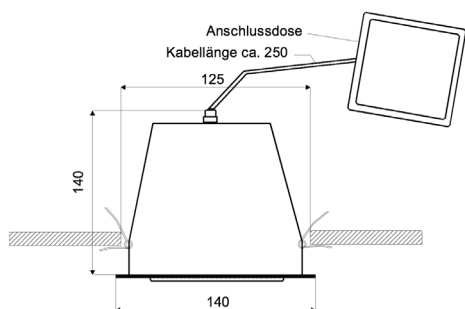
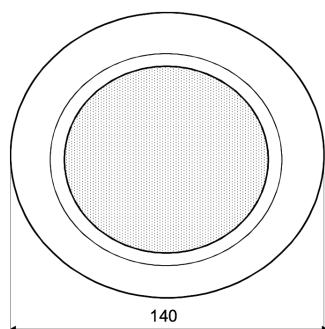
WET-140/EN5424

EN 54-24 Ceiling-Speaker

for Wet-Room-Applications in ABS / ALU with 6 Watt Power

**ELKO
SCHMID** 

Elektroakustische Komponenten

**EN
54-24****TECHNICAL DATA****WET-140/EN5424**

Loudspeaker:	4" - broadband
Power-Consumption:	100V-6-3-1,5W
Frequency-Range:	150-20 000 Hz
EN-Sensitivity 1W/4M:	74 dB
SPL max 6W/4M:	81 dB
SPL 1W/1M max. EASE/Ulysses:	96 dB (5kHz)
SPL 6W/1M max. EASE/Ulysses:	103 dB (5kHz)
Radiation H (0,5/1/2/4KHz):	180°/180°/178°/70°
Radiation V (0,5/1/2/4KHz):	180°/180°/178°/70°
EN degree:	EN Type B, weather-proof, outdoor certificated
Dimension:	140 mm x 140 mm with fire-dome
Ceiling Cut-out:	125 mm
Suitable slab thickness:	5 mm - 25 mm
Weight:	0,85 kg
Material:	ABS / ALU
Color:	white
Certificate-Nr.:	1293-CPR-0575
Order-Nr.:	WET-140/EN5424

- EN Type B certified for outdoor usage
- Perfekt for all wet-room-applications
- Very fast mounting through double-legged-spring
- High intelligibility
- Three touch-secure 100V-tappings
- Integrated fire-dome
- Ceramic clamp & thermal fuse by request

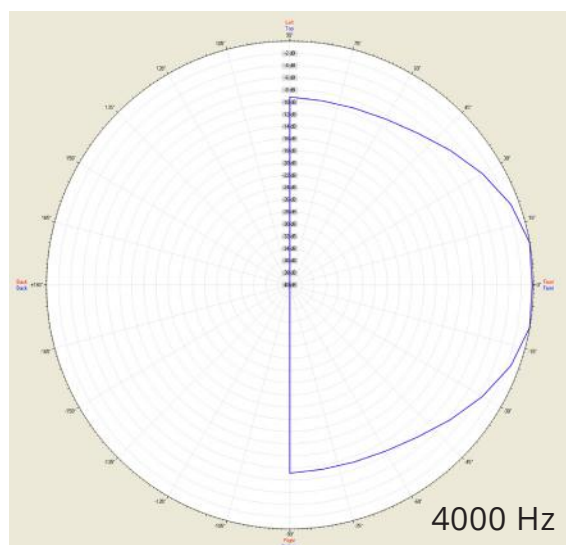
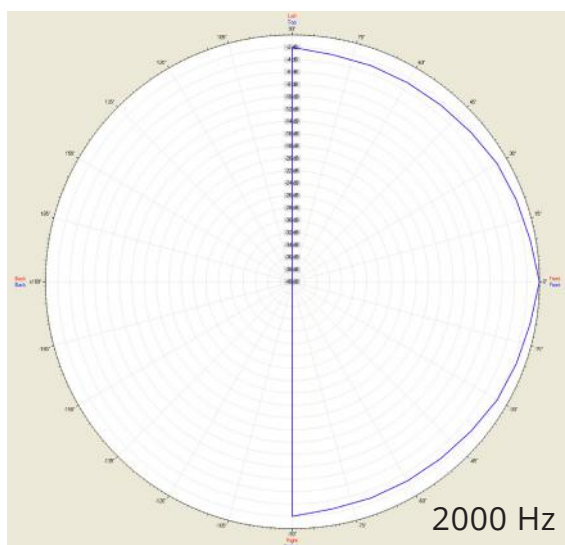
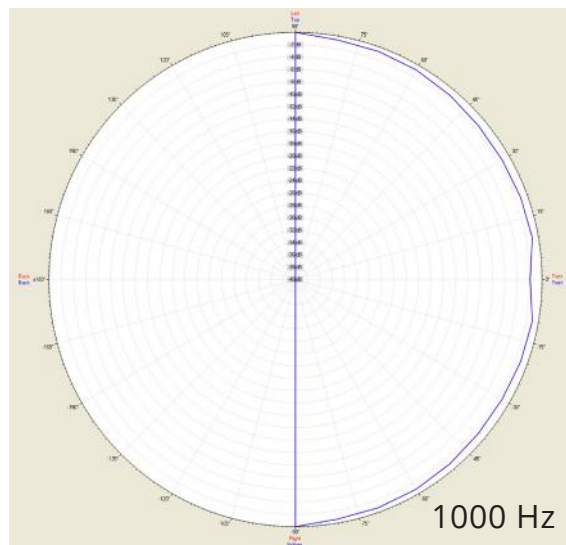
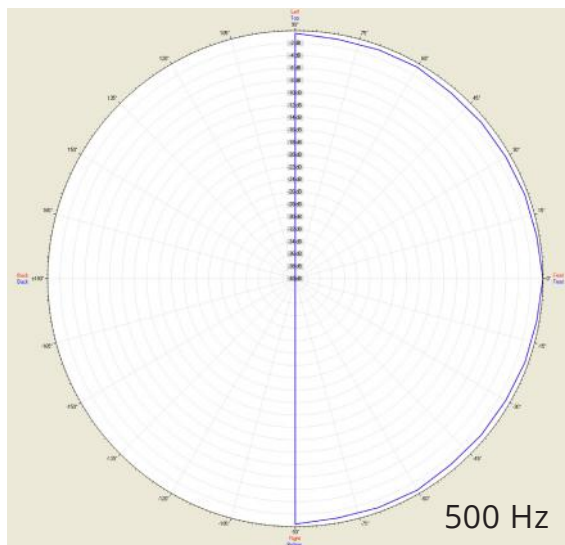
WET-140/EN5424

EN 54-24 Ceiling-Speaker

for Wet-Room-Applications in ABS / ALU with 6 Watt Power

Elektroakustische Komponenten

Radiation



Test method	Axis	500 Hz	1000 Hz	2000 Hz	4000 Hz
EN 54-24	HOR	180°	180°	178°	70°
EN 54-24	VER	180°	180°	178°	70°
EASE/Ulysses	HOR	180°	180°	180°	85°
EASE/Ulysses	VER	180°	180°	180°	85°

WET-140/EN5424

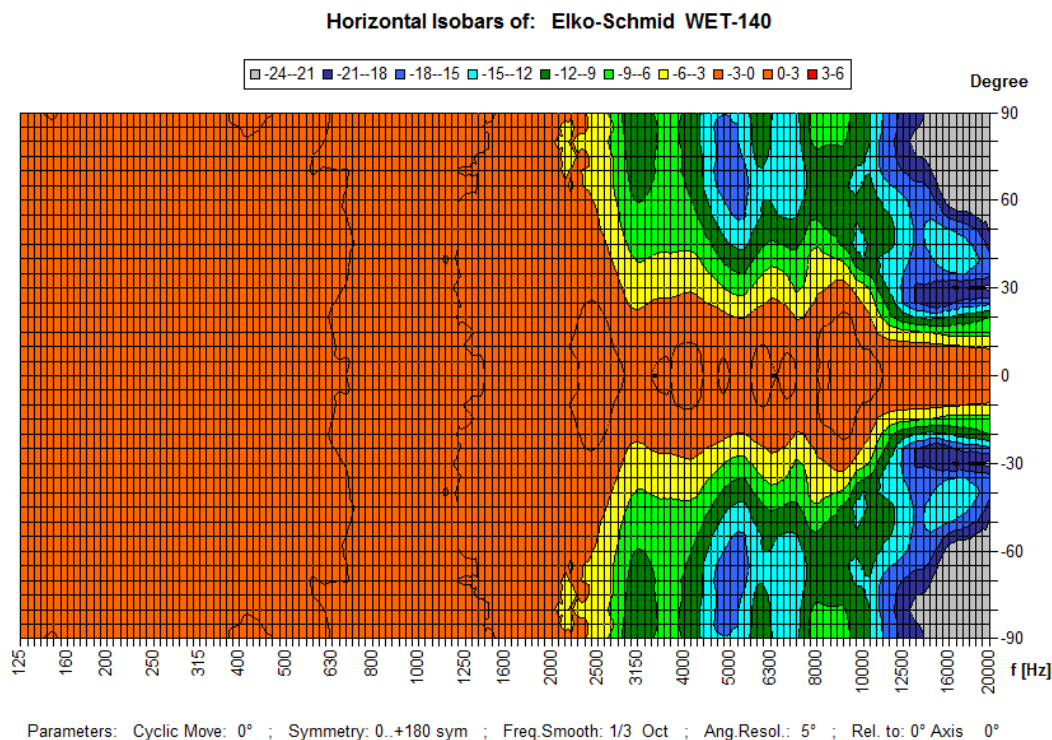
EN 54-24 Ceiling-Speaker

for Wet-Room-Applications in ABS / ALU with 6 Watt Power



Elektroakustische Komponenten

Iso-bar-diagram



1293

Elko Schmid Electronic GmbH & Co. KG
Glauchauer Str. 30, D-08058 Zwickau

18

DoP: 498058129314-ICS-PN-0028

EN 54-24

Loudspeaker for voice alarm systems for
fire detection and fire alarm systems for buildings

WET-140/EN5424

Intended option:
Type B