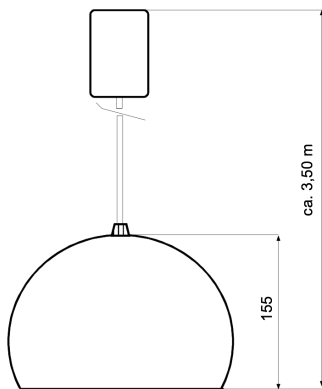


KA-180T

Sphere-Speaker
in ABS with 10 Watt Power

**TECHNICAL DATA****KA-180T**

Loudspeaker:	5" - Broadband with HF-Cone
Power-Consumption:	100V-10-6-3W
Frequency-Range:	120-16 000 Hz
SPL 1W/1M:	95 dB
SPL 10W/1M:	105 dB
SPL 1W/1M max.:	100 dB (5/7 kHz)
SPL 10W/1M max.:	110 dB (5/7 kHz)
Radiation:	360° (1kHz)
Dimension:	180 mm (d) / 155 mm
Weight:	1,2 kg
Material:	ABS
Color:	white

- Applicable as 10W & 6W
- Shock-resistant ABS-enclosure
- 360° Radiation @ 1kHz
- Wall-mounting-kit by request
- Three touch-secure 100V-tappings
- Optional caramic clamp & thermal fuse available